

PERLAN 140 SYSTEM VARIANTS AND AUTOMATION

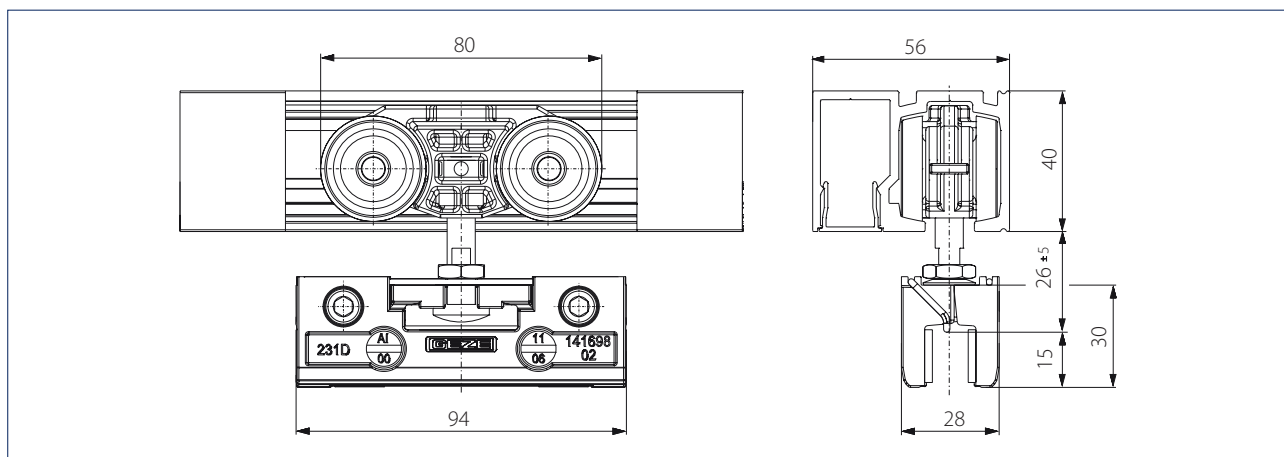




GEZE PERLAN 140 FIXED PANEL

GEZE Perlan 140 fixed panel

The integrated GEZE Perlan 140 solution with fixed panel creates transparent and convenient passages. The almost invisible floor and side profiles generate a uniform appearance and strengthen the generous special effect afforded by the glass appearance. Installation is quick and easy. The fixed panels are held securely by rubber seals in a choice of either black or grey, glueing is not necessary. Perlan 140 with fixed panel is available as a complete profile set 3 m for individual solutions, but all profiles and accessory parts can also be ordered individually.



APPLICATION RANGE

- For sliding leaves with fixed glazing
- For all standard door widths
- For fixed panels of up to 13 mm toughened safety glass or laminated safety glass
- Can be combined as a system with almost all Perlan 140 components

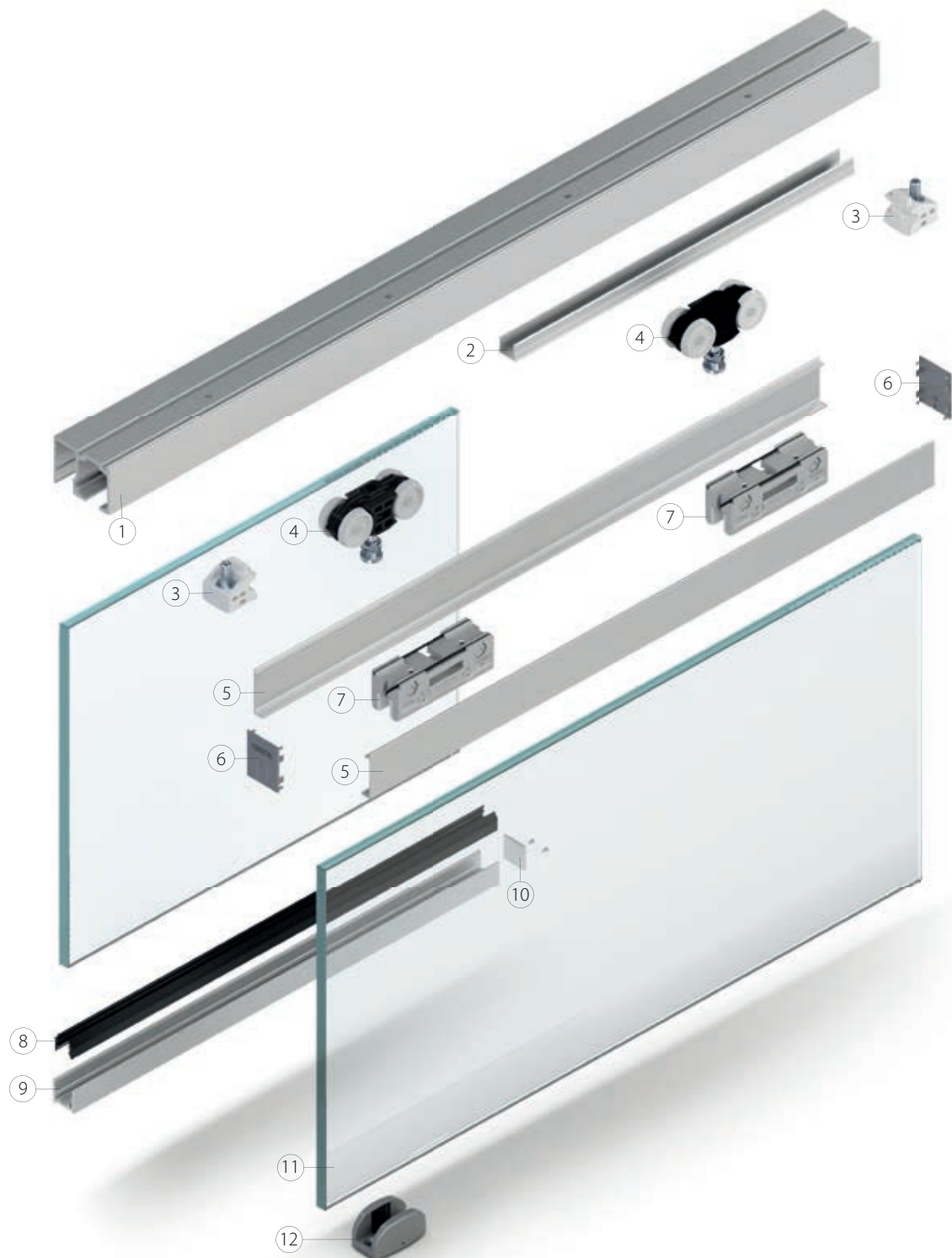
TECHNICAL DATA

| Product features | GEZE Perlan 140 Fixed panel |
|----------------------|-----------------------------|
| Leaf material | Glass |
| Number of leaves | 1-leaf, 2-leaf |
| Type of installation | Ceiling installation |
| Automated | • |
| Fixed panel | • |
| Duosync | • |

• = YES

OVERVIEW OF COMPONENTS

GEZE Perlan 140 fixed panel glass leaf with glass clamping plate 30 mm, ceiling mounting with continuous cover

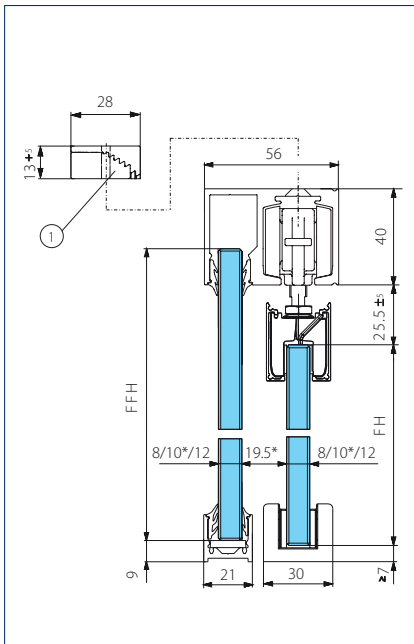


- 1 = Track and fixed panel profile Perlan 140
- 2 = Fixed panel cover profile
- 3 = End stop Perlan 140
- 4 = Roller carriage Perlan 140
- 5 = Continuous cover for glass clamping plate 30 mm
- 6 = End cover Glass clamping plate 30 mm

- 7 = Glass clamping plate 30 mm
- 8 = Glass seals
- 9 = U-profile fixed panel
- 10 = End cover U-profile fixed panel
- 11 = Glass leaf (on site)
- 12 = Floor guide for glass leaf (adjustable)

GEZE PERLAN 140 FIXED PANEL

CROSS-SECTION DRAWINGS



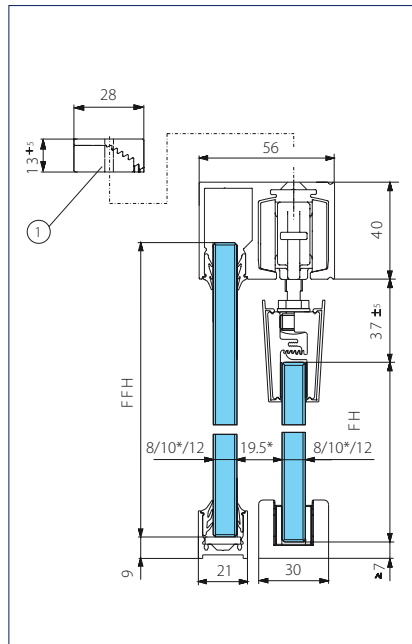
Fixed panel mounting glass with glass clamping plate 30, covered

* = Dependence dimension shown with 10 mm panel thickness

FH = Leaf height

FFH= Fixed panel height

1 = Height compensation mechanism



Fixed panel mounting glass with glass clamping plate 45, covered

* = Dependence dimension shown with 10 mm panel thickness

FH = Leaf height

FFH= Fixed panel height

1 = Height compensation mechanism

ORDER INFORMATION

| Description | Length | Version | ID No. |
|--|----------|-----------------------|--------|
| Track Perlan 140 Fixed panel | 3000 mm | EV1 | 126962 |
| | 6000 mm | EV1 | 126963 |
| | 6050 mm | stainless steel optic | 128344 |
| Track Perlan 140 Fixed panel Bespoke | | EV1 | 128077 |
| | | stainless steel optic | 128345 |
| Track Perlan 140 fixed panel with countersunk hole | 6050 mm | EV1 | 128652 |
| Track Perlan 140 fixed panel with countersunk hole Bespoke | 6050 mm | stainless steel optic | 128654 |
| | | EV1 | 128653 |
| | | stainless steel optic | 128655 |
| Perlan fixed panel set Bespoke according to customer wishes | | | 128079 |
| Perlan fixed panel set Complete profile set. comprising: 3 m track Perlan fixed panel, 1.5 m cover profile, 4.5 m U-profile, 12 m rubber seal | | EV1 | 126995 |
| Accessories | | | |
| Cover profile fixed panel for Perlan / Levolan 60 / 120 | 6000 mm | EV1 | 127003 |
| For covering the unused fixed panel area with Perlan / Levolan 60 / 120 as well as for top cover with glass installation Levolan 60 / 120 | 6050 mm | stainless steel optic | 128342 |
| Cover profile Perlan 140 Fixed panel Bespoke | | EV1 | 128078 |
| | | stainless steel optic | 128343 |
| U-profile fixed panel | 6000 mm | EV1 | 126965 |
| | 6050 mm | stainless steel optic | 128294 |
| U-profile fixed panel Bespoke | | EV1 | 128076 |
| | | stainless steel optic | 128295 |
| Glass seal for Perlan / Levolan fixed panel For 8 / 10 / 12 mm glass thickness | 12000 mm | black | 158650 |
| | 12000 mm | grey | 126869 |
| End cover set with 2 glazing supports for use with U-profile fixed panel with Perlan / Levolan, comprising: end covers, 2 x screw, 2 x glazing block 15 x 3 mm | | EV1 | 127001 |
| | | stainless steel optic | 128361 |



Track fixed panel

U-profile fixed panel

Cover profile fixed panel

Glass seal for fixed panel